

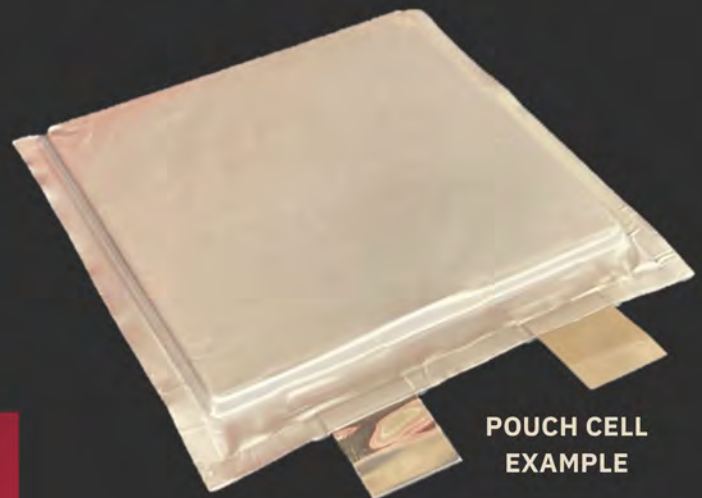
Li-Metal Cells



Safe, High Power

Li-Metal Cells

- Lighter weight
- Longer run times
- Extended endurance
- Extreme low temperature
- Man-portable power
- Unmanned systems
- Domestic supply chain



POUCH CELL
EXAMPLE

Contact Us

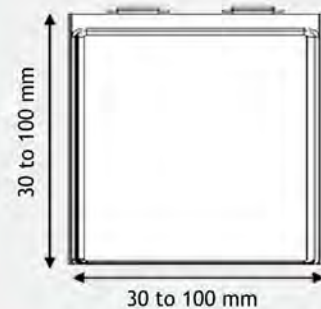
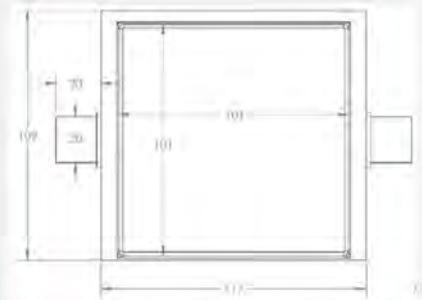
Web: Lectratek.com
Email: info@Lectratek.com
Phone: 937-387-2738

Example Pouch Cell Specifications

PRELIMINARY SPECIFICATIONS

Model	EAB-10010069
Capacity (C/5)	7.8 Ah
Specific energy	230 Wh/kg
Power (20C)	3000 W/kg
Voltage	3.8 V
Voltage range	2.7-4.5 V
Energy	30 Wh
Weight	130 g
Rate capability	150 A, 20C
Temperature	-50 to +55°C
Cycle life	150 cycles to 80% capacity
Size	100 x 100 x 6.9 mm

CUSTOMIZABLE CELLS



TEMPERATURE PERFORMANCE: VOLTAGE AND CAPACITY

